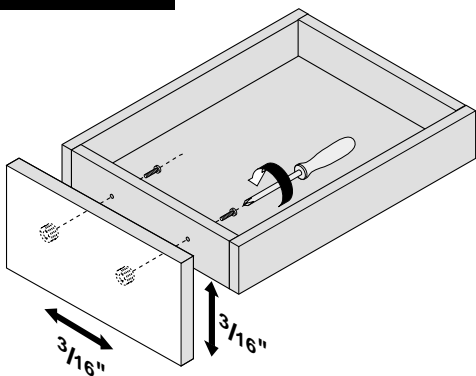


Drawer Front Adjustments

For use with Blum's 295.1000 drawer front adjuster

Adjustment



1. Open the drawer all the way to the lock-out position.
 2. Loosen the two (or four) screws on the inside of the drawer box slightly.
 3. Close the drawer.
 4. Adjust the drawer front by moving it side-to-side, up or down. The built-in drawer front adjustment fitting permits adjustment of $\frac{3}{16}$ " (5mm) in either direction.
 5. Open the drawer and tighten all screws.
 6. Adjusters may also be on stationary sink front and blind corner panels.
- Range = $\frac{3}{16}$ " (5mm)**