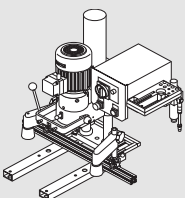
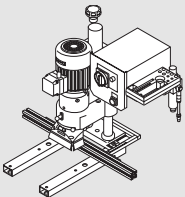
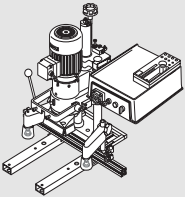
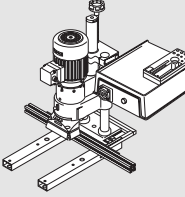


MINIPRESS / MINIDRILL spare parts

For machines manufactured from 1997 to 2007

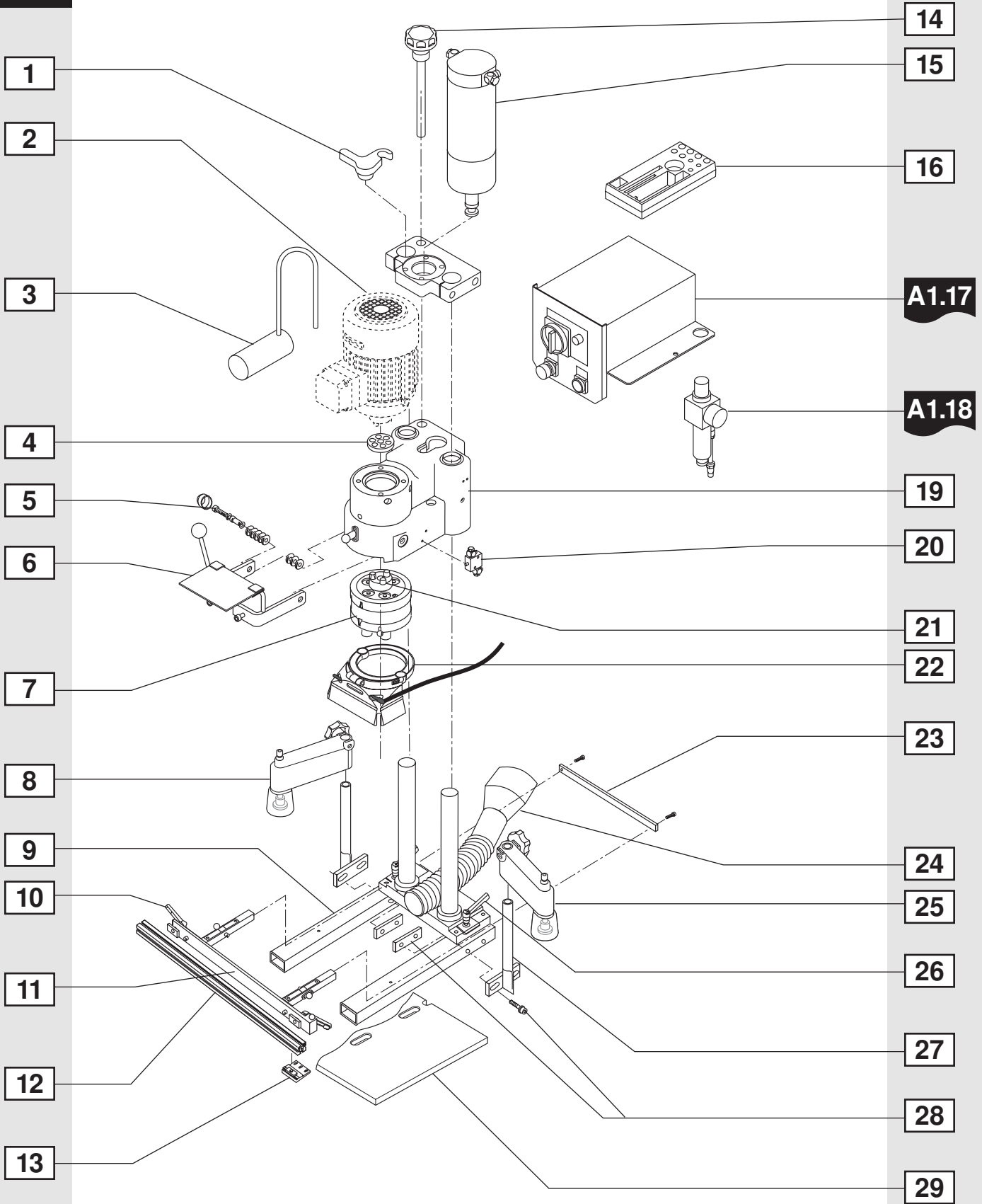
Machines and attachments

Machine	Machine type	Section
	MINIPRESS Series Num: GA	A1
	MINIDRILL Series Num: GM	A2
	MINIPRESS Series Num: CF, CG	A3
	MINIDRILL Series Num: AA, AB	A4

ATTENTION:

This catalogue is not intended as a substitute for the instruction manual for the equipment or parts which are described. Any use, repair, maintenance, or replacement of parts of this machinery should only be done in accordance with the specific instructions and warnings contained in the operator's manual. That manual should be fully read, understood, and complied with by all persons who are using or servicing this machinery.

THE MANUAL AND THE MACHINERY CONTAIN WARNINGS AND INSTRUCTIONS WHICH MUST BE FOLLOWED. FAILURE TO FOLLOW THE WARNINGS AND INSTRUCTIONS COULD RESULT IN SERIOUS PERSONAL INJURY OR DAMAGE TO THE MACHINERY OR OTHER PROPERTY.



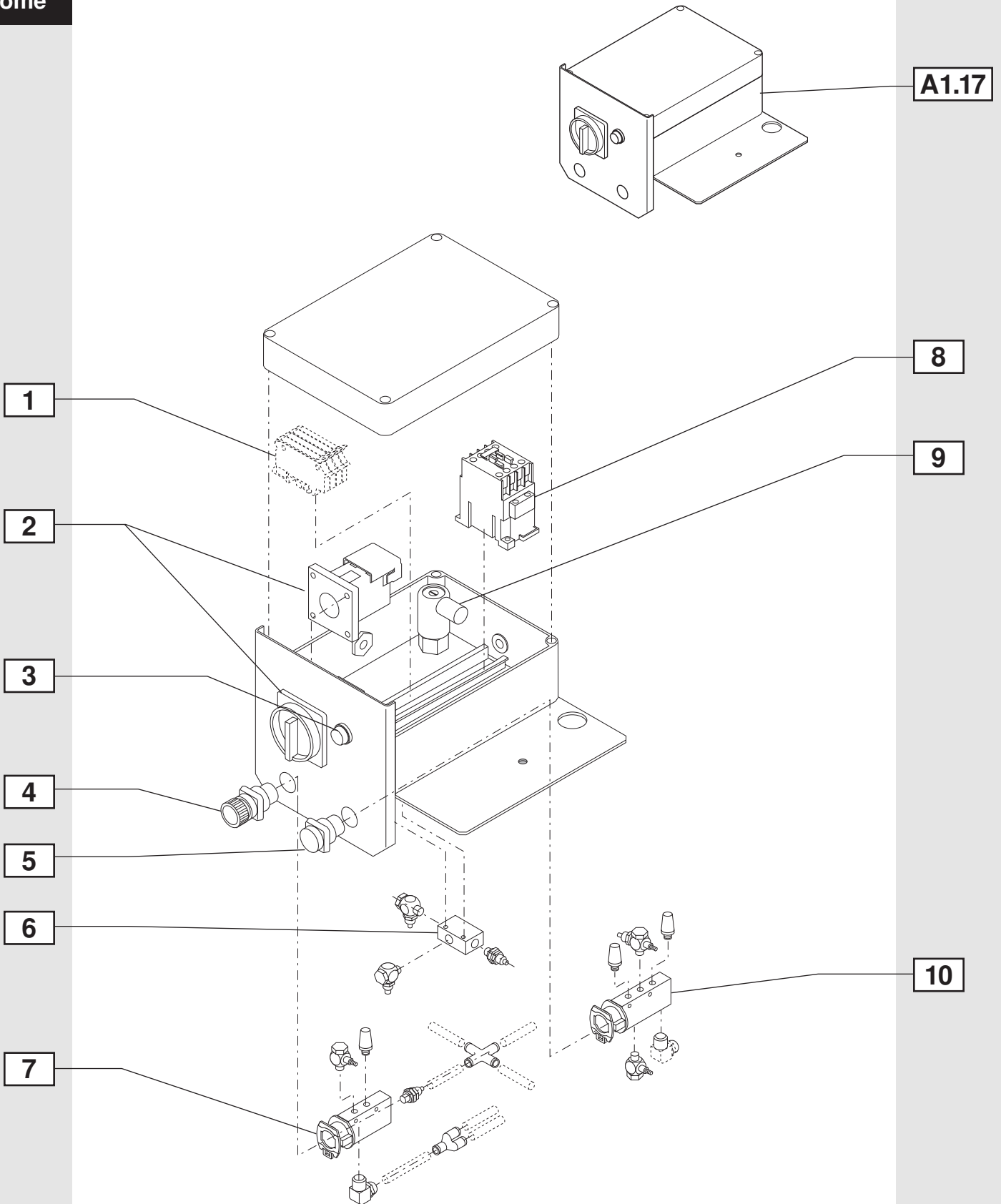
Parts list

Part #	ID number	Item description
1	08447034	M51P090-09 Depth gauge for M51P10xx
2	03244009	Motor (1-phase, 220v) and coupling
3	03282601	Capacitor for 1-phase motor
4	02451281	M51P030-30 Coupler ring (part of breakaway clutch)
5	06747614	M30.0405 Swing arm mounting kit (2 required per machine)
6	01613744	M51N0400 Swing arm
7	02502001	M51P1303 Gearbox
8	02285329	M51N0720.03 Hold down clamp, left hand
9	04228104	M50.010M04 Base frame of machine MB=23.5
10	06634170	M30.A320 Clamping lever for ruler on fencing system
11	07500264	M30N0200 Fencing system
12	06635734	M30.0212 Ruler
13	07982584	MZE.100-02.01 Ruler adjustment plate
14	03587634	M50.1324 Depth adjustment screw
15	02624214	M51P070M01 Air cylinder
16	06474389	M51.080-02 Tool holder
A1.17	03464200	STEU MP GA 1x220v CSA Control box assembly
A1.18	06210140	FILTERDRUCKREG G18 Air filter regulator unit
19	04399339	M51P1301 Gearbox housing
20	03976000	VENTIL 3/2W Swing arm valve
21	06960651	MZK.2009 Breakaway clutch
22	02566091	M30.1316 Protective safety shield for the drill bits
23	07975454	M30.020-02 Fence brace bar
24	04399500	M51P0601 Vacuum hose and adapter
25	02285679	M51N0720.02 Hold down clamp, right hand
26	06634090	M30.A260 Clamp lever with plate
27	06454604	M51.070E21 Hold down clamp support
28	06448544	M51.070-23 Hold down clamp support plate
29	06378581	MZA.1000 Work table



1 Denotes part number in drawing

A1.2 Denotes part number in drawing and links to auxiliary drawing



Parts list

Part #	ID number	Item description
A1.17	03464200	STEU MP GA 1x220V CSA Control box assembly
1	04824560	SICH-KLEMME Fuse holder
2	04552380	HAUPTSCHALTER Mode switch
3	02456240	SIGNALLEUCHTE Indicator light assembly for mode
4	04354804	WAHLTASTER Push button for clamp valve
5	04398874	DRUCKTASTER Push button for stroke valve
6	03988600	ZWEIDRUCKVENTIL G18 "AND" valve
7	01800330	VENTIL 3/2W Clamp valve
8	02456300	SCHEUTZ 12A Motor contactor
9	03988890	DRUCKSCH. G14 Pressure switch
10	08585365	VENTIL MANU 5/2WV Stroke valve

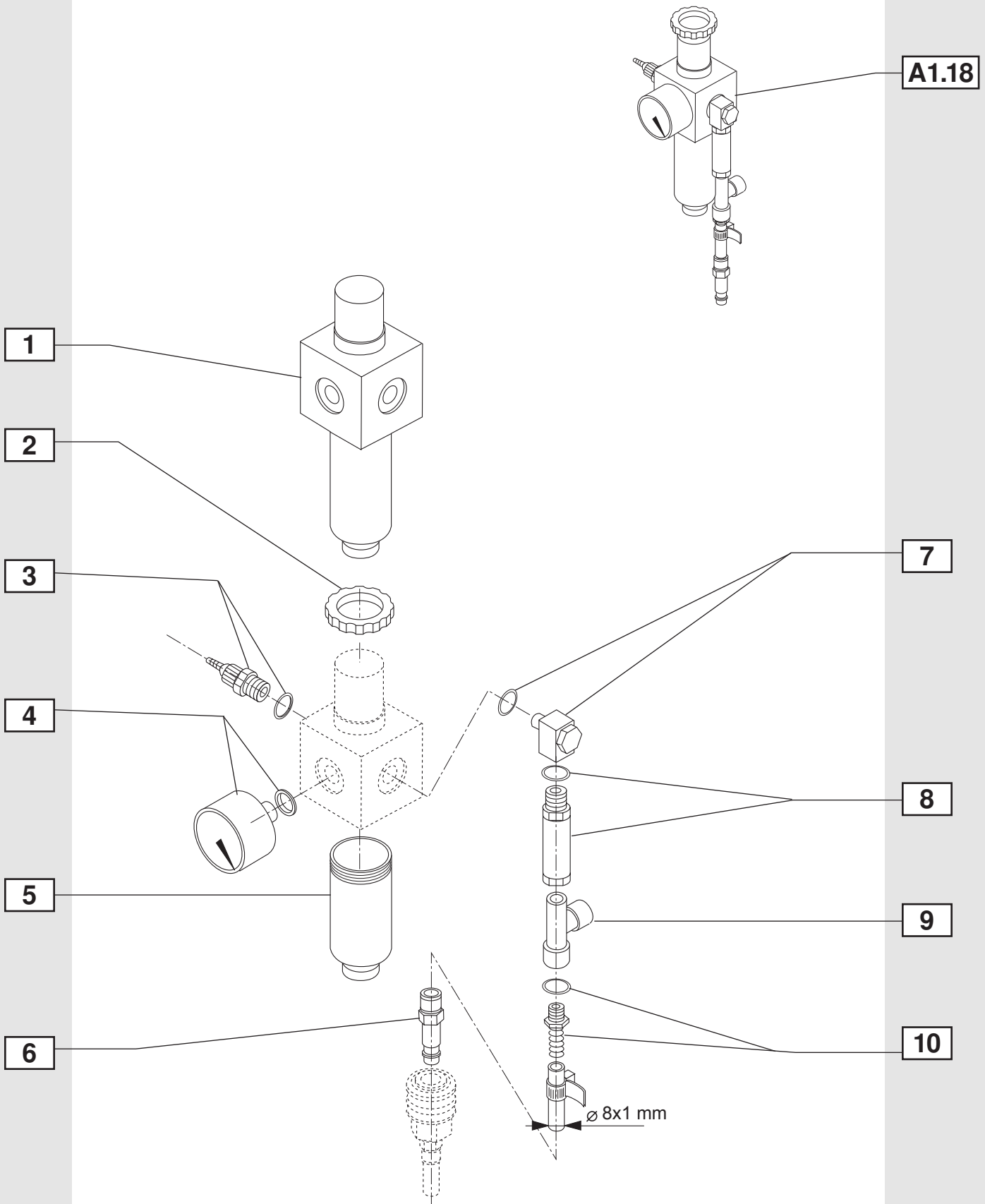
 Back

1

Denotes part number in drawing

A1.2

Denotes part number in drawing and links to auxiliary drawing



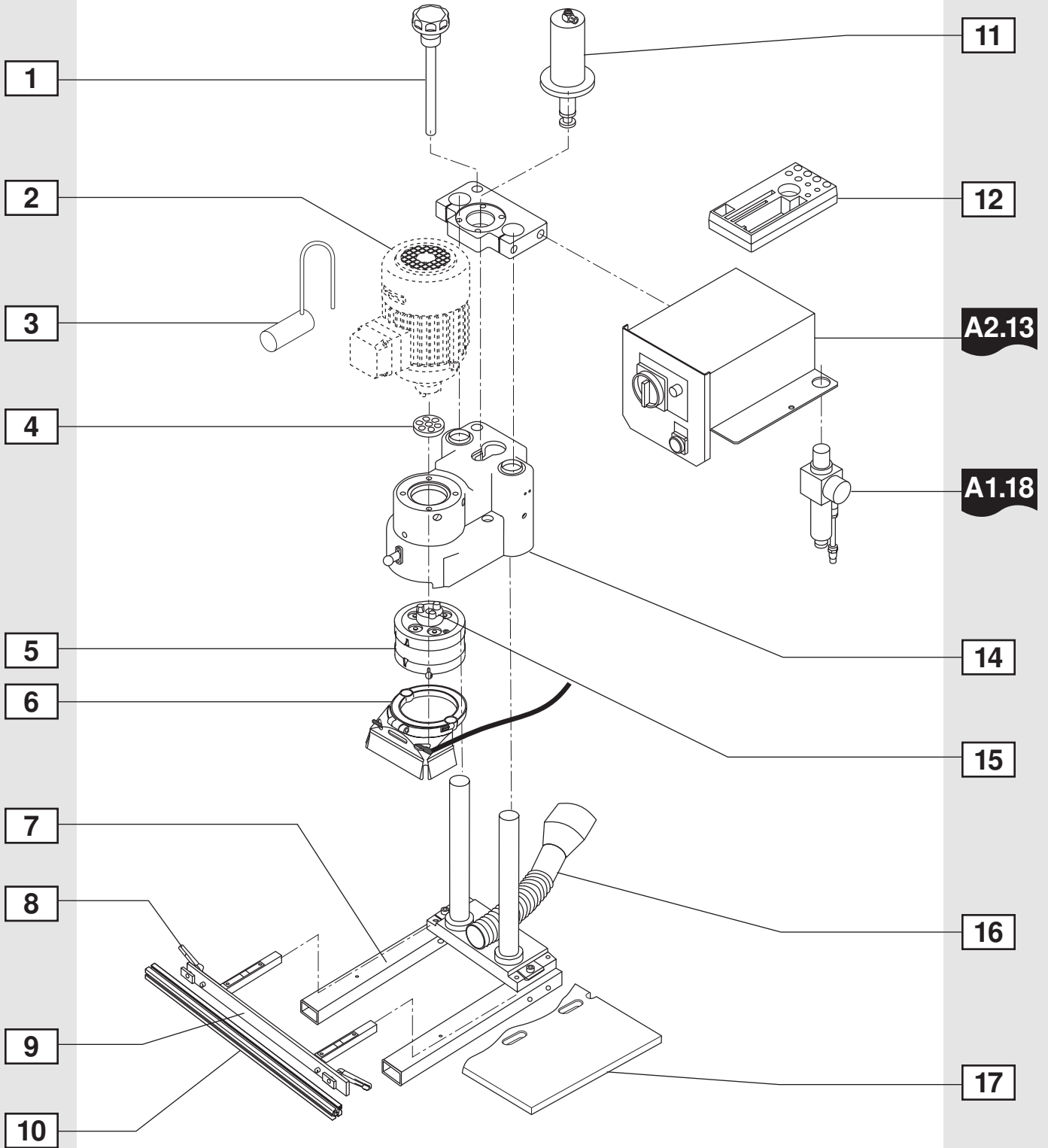
Parts list

Part #	ID number	Item description
A1.18	06210140	FILTERDRUCKREG G18 Air filter regulator unit
1	03975560	FILTERDRUCKREGLER G18 Air filter block
2	04398500	SCHALTTAFELMUTTER Mounting nut
3	02454600	VERSCHR GER G18 Straight connector
4	04398790	MANOMETER Pressure gauge
5	03975480	BEHAELTER Replacement filter bowl
6	00474060	KUPPLUNGSSTECKER PK6 Line connector
7	01897310	VERTEILER WIS G18 Swivel elbow connector block
8	01799490	RUECKSCHLAGVENTIL G18 Check valve
9	03989270	T-STEUCK G18 "T" connector
10	01799810	VERSCHR TUELLE G18 1/4 barbed connector



1 Denotes part number in drawing

A1.2 Denotes part number in drawing and links to auxiliary drawing



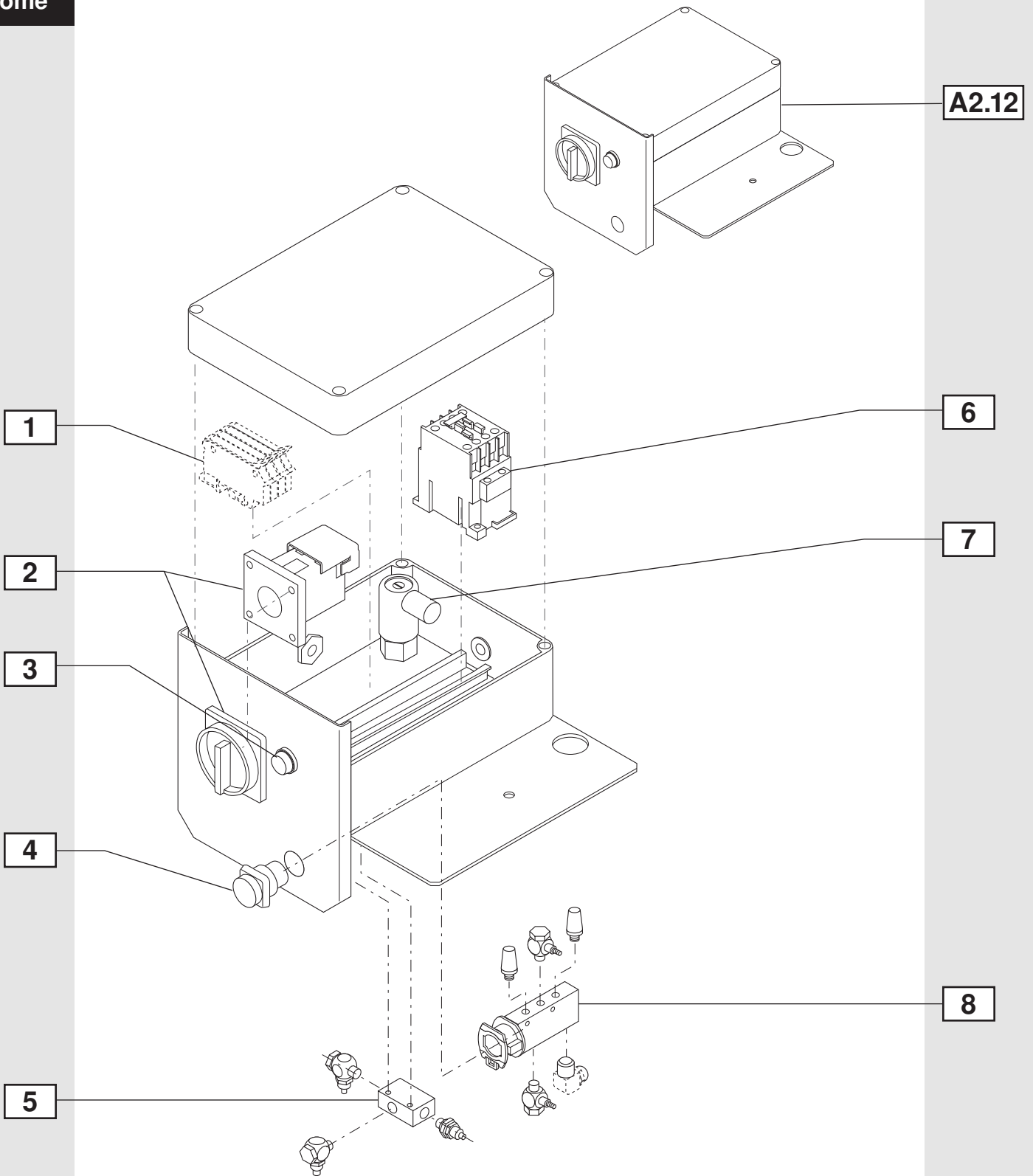
Parts list

Part #	ID number	Item description
1	03587634	M50.1324 Depth adjustment screw
2	03244009	Motor (1-phase, 220v) and coupling
3	03282601	Capacitor for 1-phase motor
4	02451281	M51P030-30 Coupler ring (part of breakaway clutch)
5	02502001	M51P1303 Gearbox
6	02566091	M30.1316 Protective safety shield for drill bits
7	04228104	M50.101M04 Base frame of machine MB=23.5
8	06634170	M30.A320 Clamping lever for ruler on fencing system
9	07500264	M30N0200 Fencing system
10	06635734	M30.0212 Ruler
11	02546404	M51P070M01.50ZYLINDER Cylinder
12	06474389	M51.080-02 Tool holder
A2.13	03471410	STEU MP GM 1x220V CSA Control box assembly
A1.18	06210140	FILTERDRUCKREG G18 Air filter regulator unit
14	04399339	M51P1301 Gearbox housing
15	06960651	MZK.2009 Breakaway clutch
16	04399500	M51P0601 Vacuum hose and adapter
17	06378581	MZA.1000 Work table

 Back

1 Denotes part number in drawing

A1.2 Denotes part number in drawing and links to auxiliary drawing



Parts list

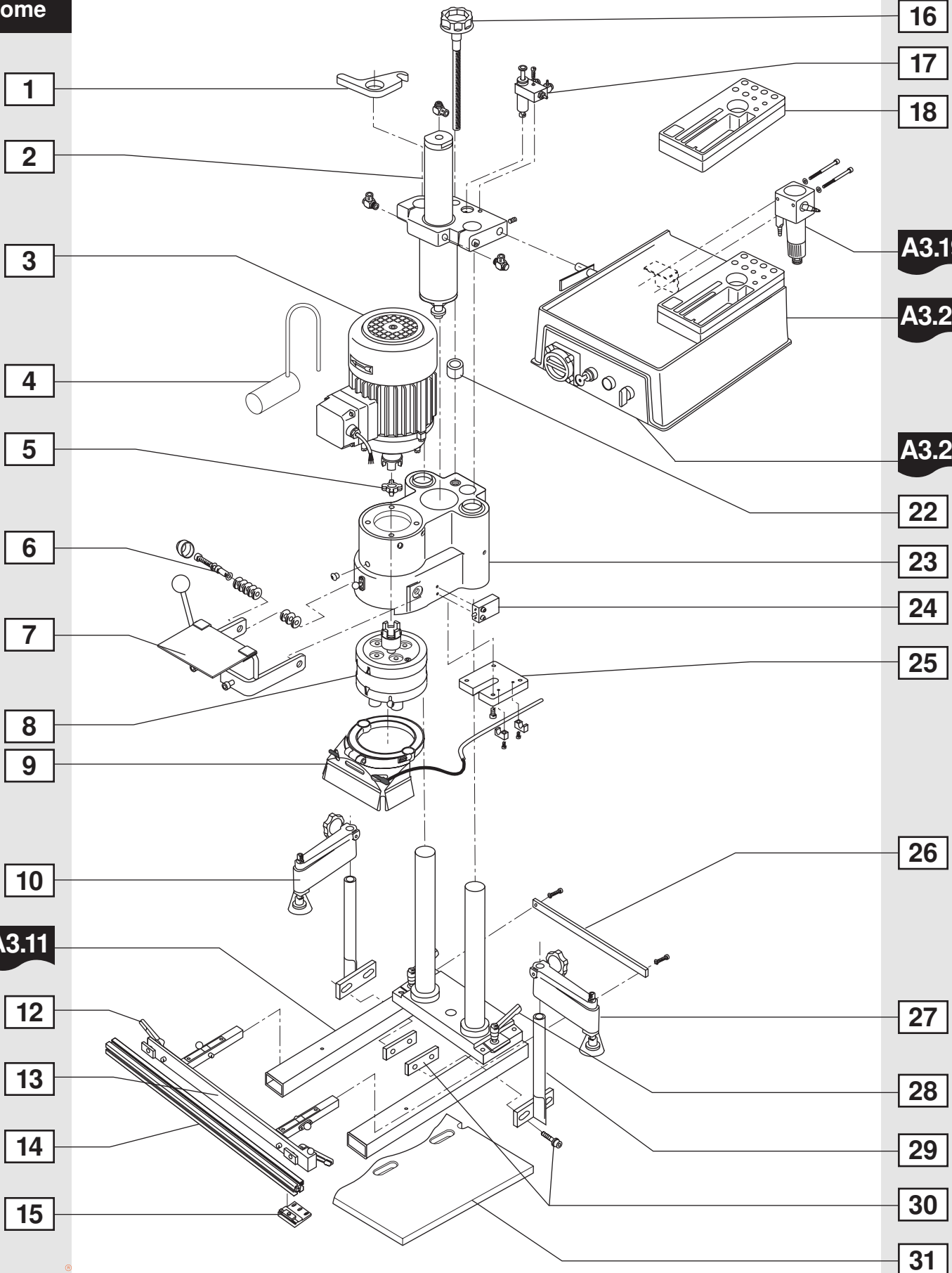
Part #	ID number	Item description
A2.12	03471410	STEU MP GM 1x220V CSA Control box assembly
1	04824560	SICH-KLEMME Fuse holder
2	04552380	HAUPTSCHALTER Mode switch
3	02456240	SIGNALLEUCHTE Indicator light assembly for mode
4	04398874	DRUCKTASTER Push button for stroke valve
5	03988600	ZWEIDRUCKVENTIL G18 "AND" valve
6	02456300	SCHUETZ 12A Motor contactor
7	03988890	DRUCKSCH.G14 Pressure switch
8	08585365	VENTIL MANU 5/2WV Stroke valve

 Back

1 Denotes part number in drawing

A1.2 Denotes part number in drawing and links to auxiliary drawing

← Home



Parts list

Part #	ID number	Item description
1	06458429	M50.130-20 BO-TIEFL Depth gauge for M51N10xx
2	06648984	M51.0705 ZYL Main air cylinder
3	02536609	Motor (1-phase, 220v) for M51N10xx
4	03282601	Capacitor for 1-phase motor
5	06636891	KUPP-ZAHNKRANZ Coupling pad (rotex)
6	06747614	M30.0405 Swing arm mounting kit (2 required per machine)
7	01613744	M51N0400 Swing arm
8	07765721	M51.1303 Internal gear box
9	02566091	M30.1316 Protective safety shield for drill bits
10	02285329	M51N0720.03 Hold down clamp, left hand
A3.11		Base frame of machine
12	06634170	M30.A320 Clamping lever for ruler on fencing system
13	07500264	M30N0200 Fencing system
14	06635734	M30.0212 Ruler
15	07982584	MZE.100-02.01 Ruler adjustment plate
16	03587634	M50.1324 Depth adjustment screw
17	07917924	M51.0740 Pneumatic brake
18	06474389	M51.080-20 Tool holder
A3.19	07579180	FILTER G18 KOMPLETT Air filter regulator unit
A3.20		Control board
A3.21		Control panel
22	06441704	M50.130-21 Distance spacer
23	01882049	M51N1301 Gearbox housing
24	01845600	ENDSCHALTER MIT STOESSEL Limit switch
25	06446844	M51.070-10 Cylinder base plate
26	07975454	M30.020-02 Fence brace bar
27	02285679	M51N0720.02 Hold down clamp, right hand
28	06634090	M30.A260 Clamp lever with plate
29	06454604	M51.070E21 Hold down clamp support
30	06448544	M51.070-23 Hold down clamp support plate
31	06378581	MZA.1000 Work table

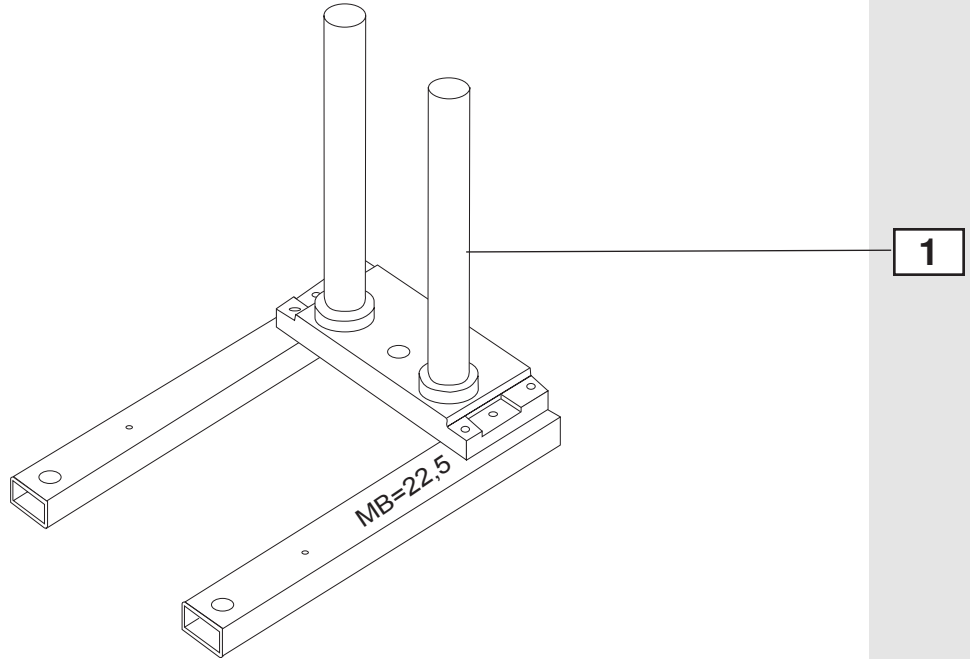
 Back

1 Denotes part number in drawing

A1.2 Denotes part number in drawing and links to auxiliary drawing

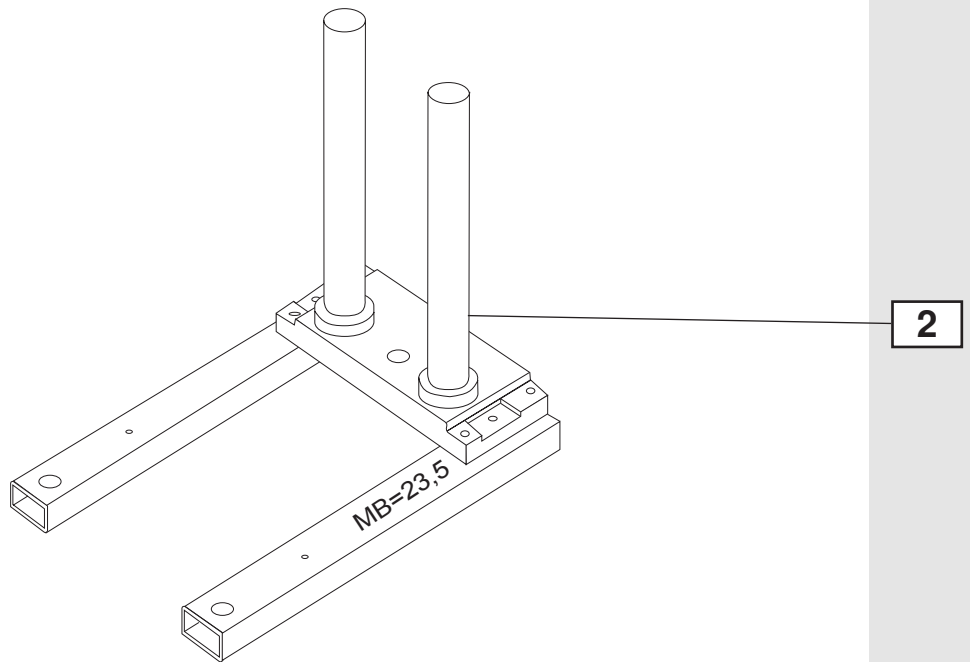
MINIPRESS Series Num: CF

MINIDRILL Series Num: AA



MINIPRESS Series Num: CG

MINIDRILL Series Num: AB



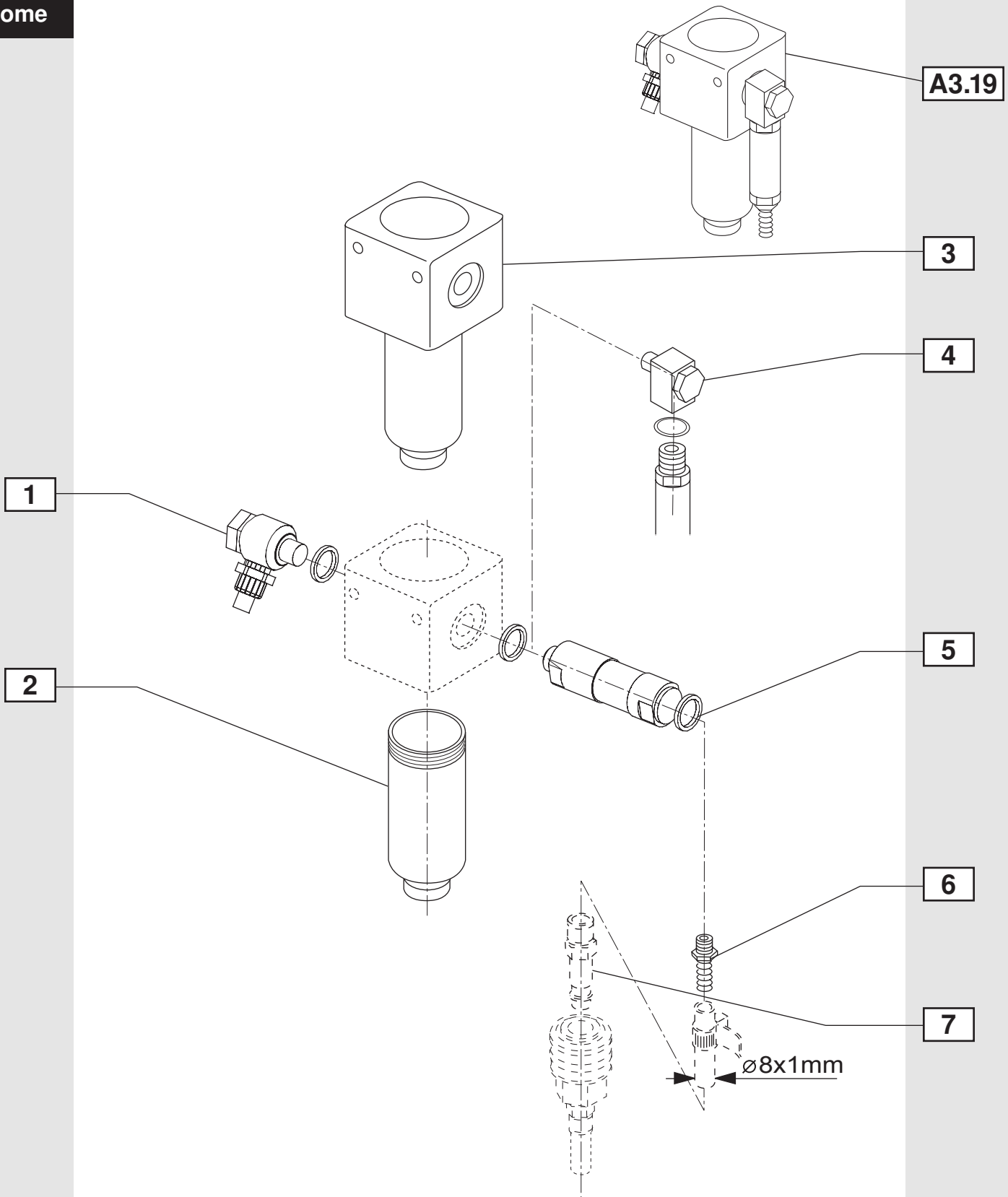
Parts list

Part #	ID number	Item description
1	03752404	M50.010M04 Base frame of machine MB=22.5
2	04228104	M50.010M04 Base frame of machine MB=23.5

 Back

1 Denotes part number in drawing

A1.2 Denotes part number in drawing and links to auxiliary drawing



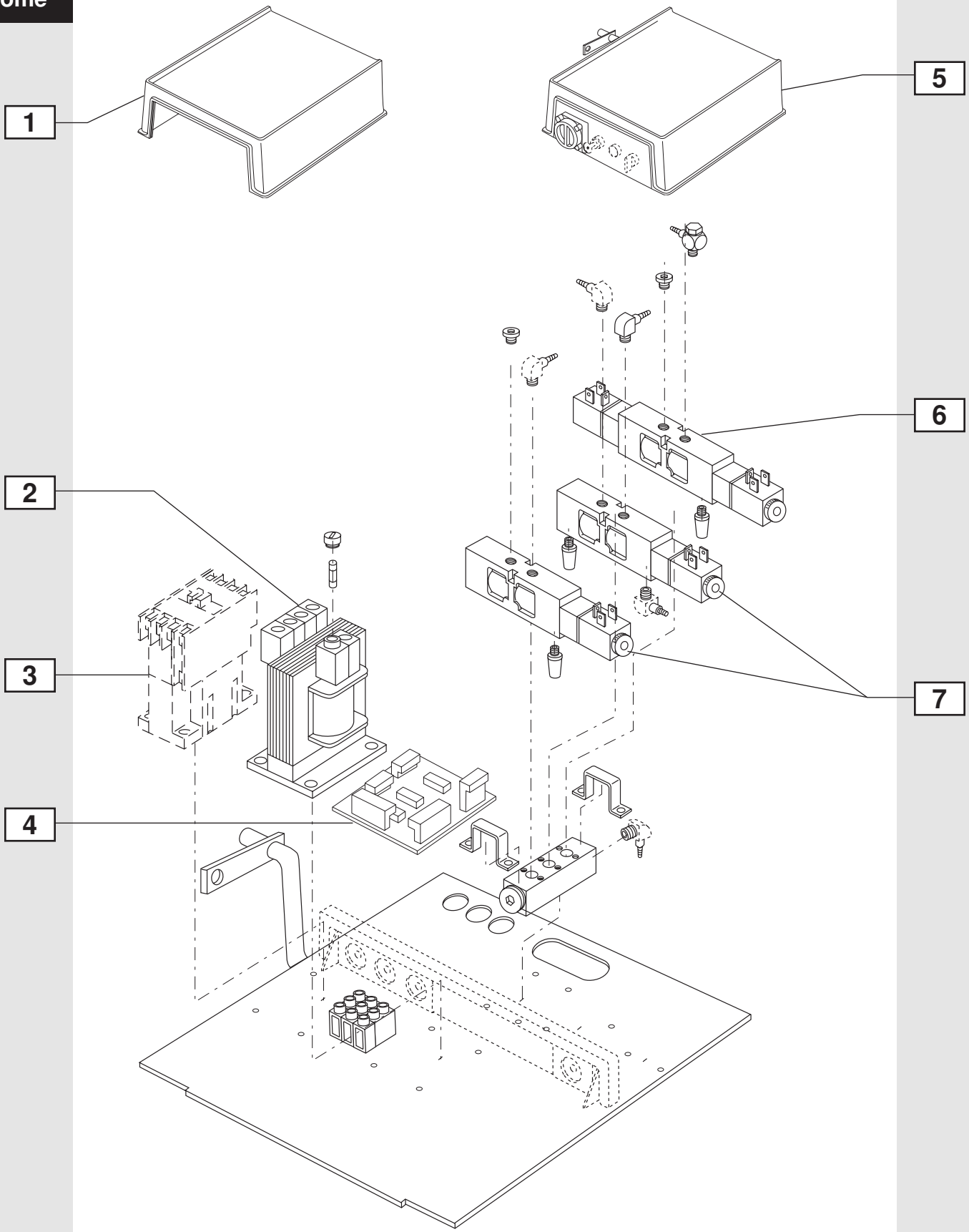
Parts list

Part #	ID number	Item description
A3.19	07579180	FILTERDRUCKREG G18 Air filter regulator unit
1	04398950	VERSCHRGER WIS G18 Straight connector
2	03975130	BEHAELTER FILTER NL2 Replacement Air filter bowl
3	04335100	FILTER G18 NL2 Air filter block
4	01897310	VERTEILER WIS G18 Swivel elbow connector block
5	01799490	RUECKSCHLAGVENTIL G18 Check valve
6	01799810	VERSCHR TUELLE G18 1/4 Barbed connector
7	00474060	KUPPLUNGSSTECKER PK6 Air inlet adapter

 **Back**

1 Denotes part number in drawing

A1.2 Denotes part number in drawing and links to auxiliary drawing



Parts list

Part #	ID number	Item description
1	07982239	Control box cover
2	01844380	TRAFO 120-440V/20V Fuse holder
3	03990950	SCHUETZ 12A Motor contactor
4	01844970	STEUERPRINT CD-CG Circuit board
5	04863460	Control box assembly (A3.20 + A3.21 + cover)
6	01800920	VENTIL 5/2W 24VDC IMP G18 Double solenoid valve
7	01801140	VENTIL 5/2W 24VDC G18 Single solenoid valve

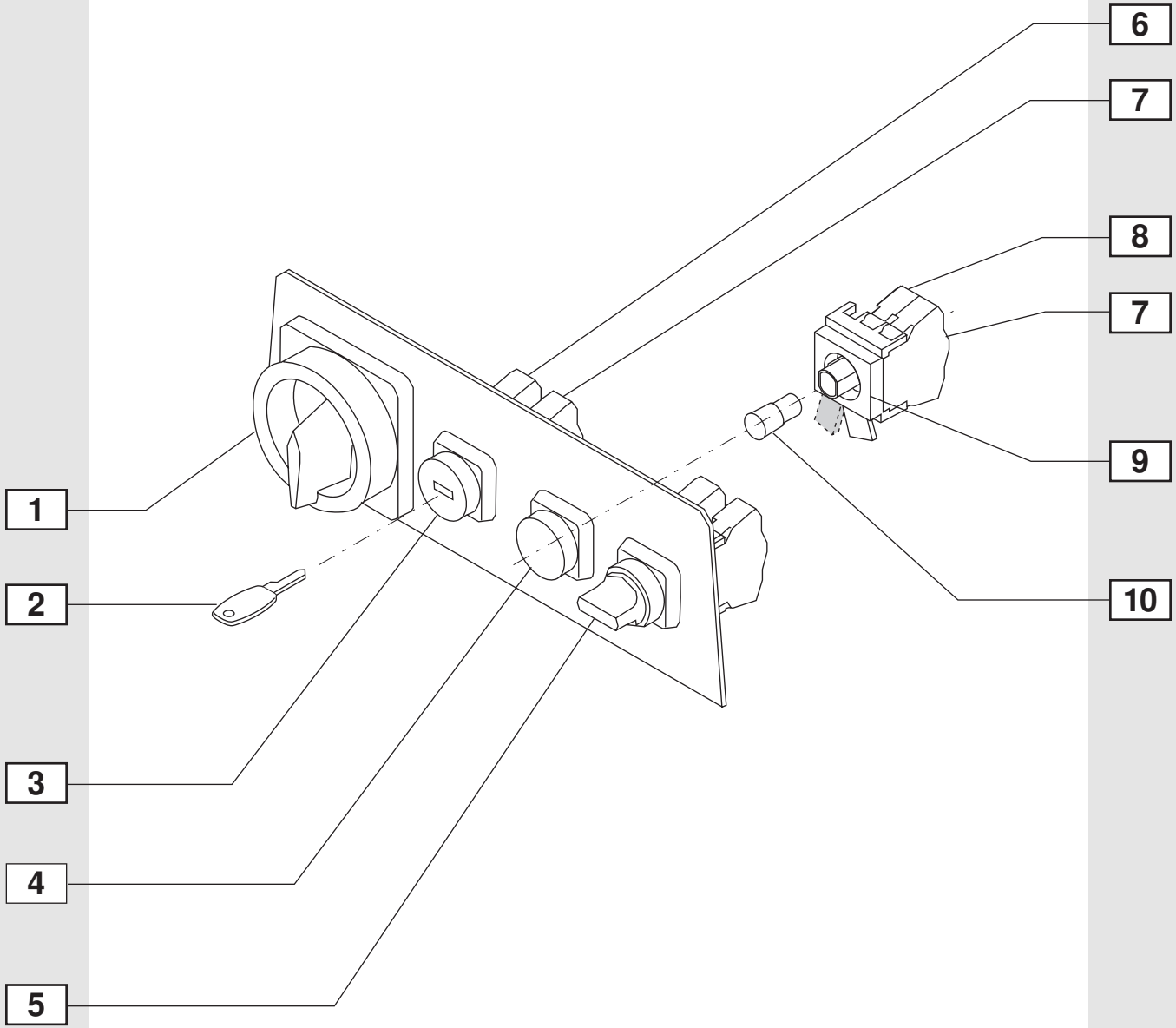
 Back

1

Denotes part number in drawing

A1.2

Denotes part number in drawing and links to auxiliary drawing



Parts list

Part #	ID number	Item description
A3.21		Control panel for M51N10xx MINIPRESS
1	01312970	HAUPTSCHALTER 3-POL 25A Main switch
2	04618070	SCHLUESSELSET Replacement key
3	04623150	Mode (key) switch assembly
	01259800	SCHLUESSELSCH Key actuator for RAFI switch
4	04623070	Stroke switch assembly
	01259630	DRUCKTASTE WEISS Push button for RAFI switch
5	01260560	WALSCHALTER 3-STEL. Hold down clamp switch
6	01260130	SCHALTELEMENT OEFFNER N.C. contact for RAFI switches
7	01260050	SCHALTELEMENT SCHLIESSER N.O. contact for RAFI switches
8	01260300	LAMPENFASSENG Light element for RAFI stroke switch
9	01259980	KUPPLING FUER RAFIX Coupling for all RAFI switches
10	01260480	LED-LAMPE 24V LED lamp for stroke switch
	01843730	Light bulb for AEG stroke switch



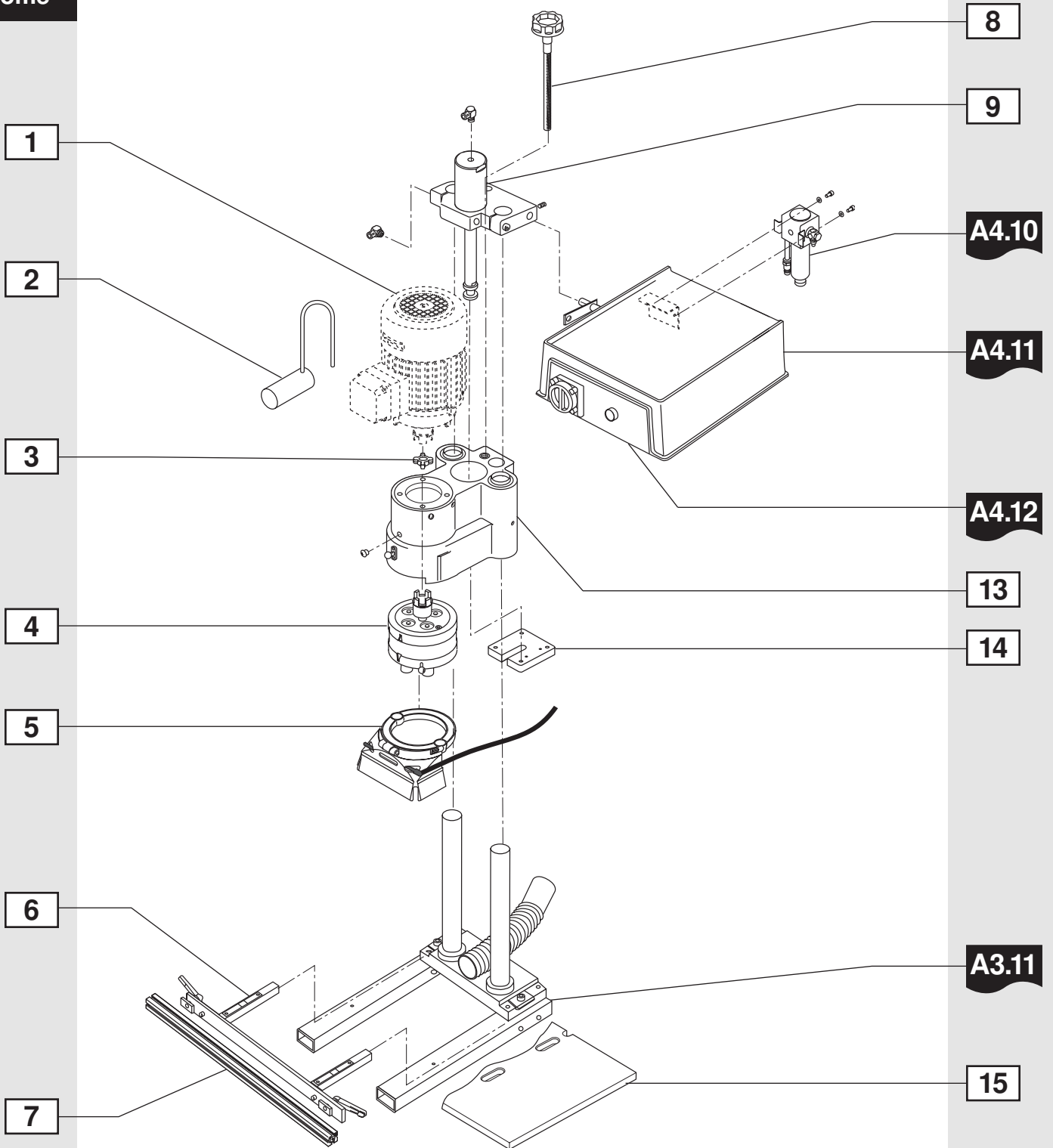
1

Denotes part number in drawing

A1.2

Denotes part number in drawing and links to auxiliary drawing

← Home



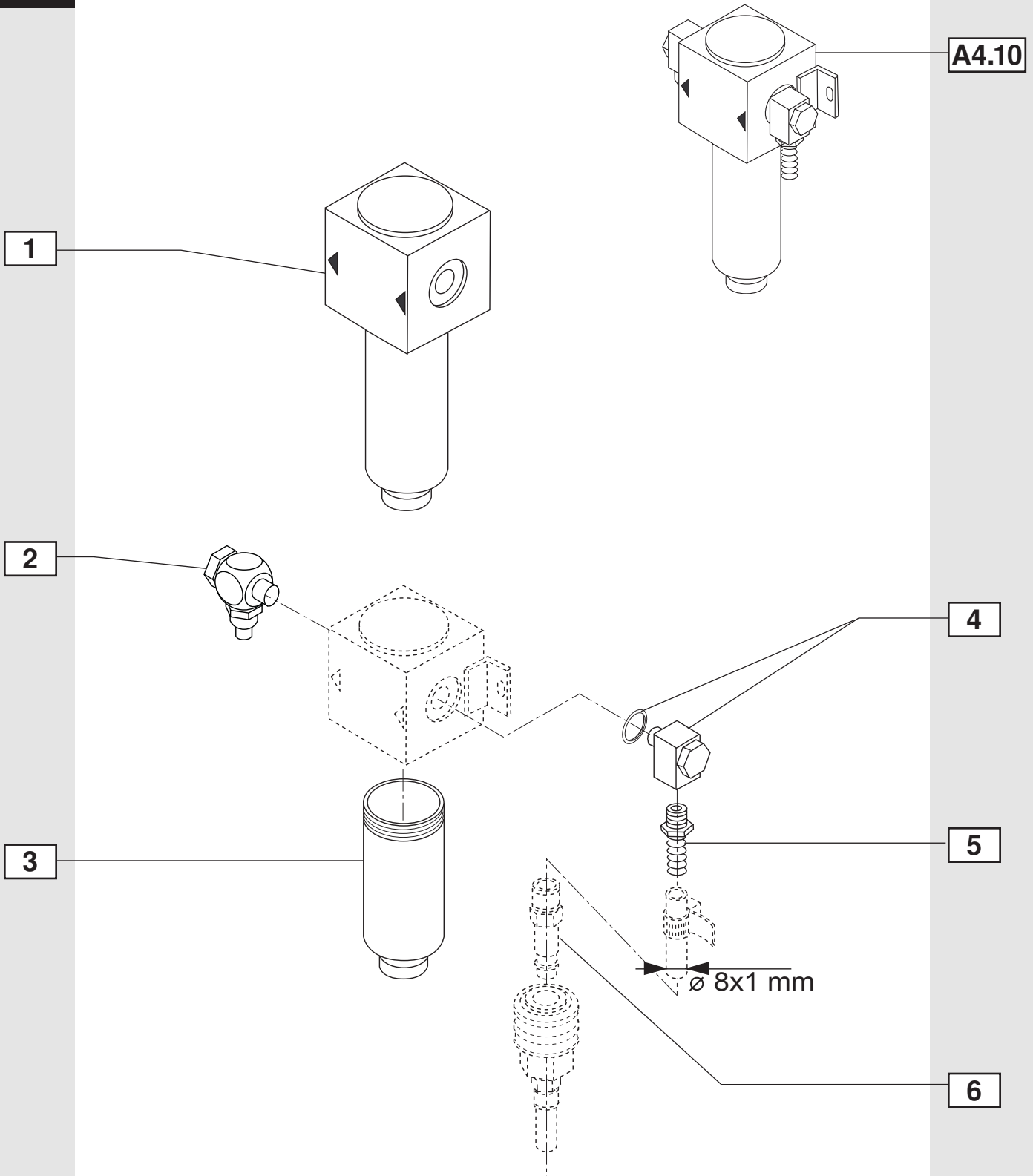
Parts list

Part #	ID number	Item description
1	02536609	Motor (1-phase, 220v) for M51N10xx
2	03282601	Capacitor for 1-phase motor
3	06636891	KUPP-ZAHNKRANZ Coupling pad (rotex)
4	07765721	M51.1303 Internal gear box
5	02566091	M30.1316 Protective safety shield for drill bits
6	07500264	M30N0200 Fencing system
7	06635734	M30.0212 Ruler
8	03587634	M50.1324 Depth adjustment screw
9	02753104	ZYL DW 990 010 050 ET Air cylinder
A4.10	01337530	FILTER G18 KOMPLETT MD Air filter regulator unit
A4.11	04847260	Control board
A4.12		Control panel
13	01882049	M51N1301 Gearbox housing
14	06446844	M51.070-10 Cylinder base plate
A3.11		Base frame of machine
15	06378581	MZA.1000 Work table

 Back

1 Denotes part number in drawing

A1.2 Denotes part number in drawing and links to auxiliary drawing



A4.10

4

5

6

Parts list

Part #	ID number	Item description
A4.10	01337530	FILTER G18 KOMPLETT MD Air filter regulator unit
1	04397980	FILTER G18 MINI Air filter assembly block
2	06450440	VERSCHR WIS G18 Swivel elbow connector
3	03975300	BEHAELTER FILTER MINI Air filter bowl
4	01897310	VERTEILER WIS G18 Swivel elbow connector block
5	01799810	VRSCHR TUELLE 1/4 barbed connector
6	00474060	KUPPLUNGSSTECKER PK6 Air inlet adapter

 Back

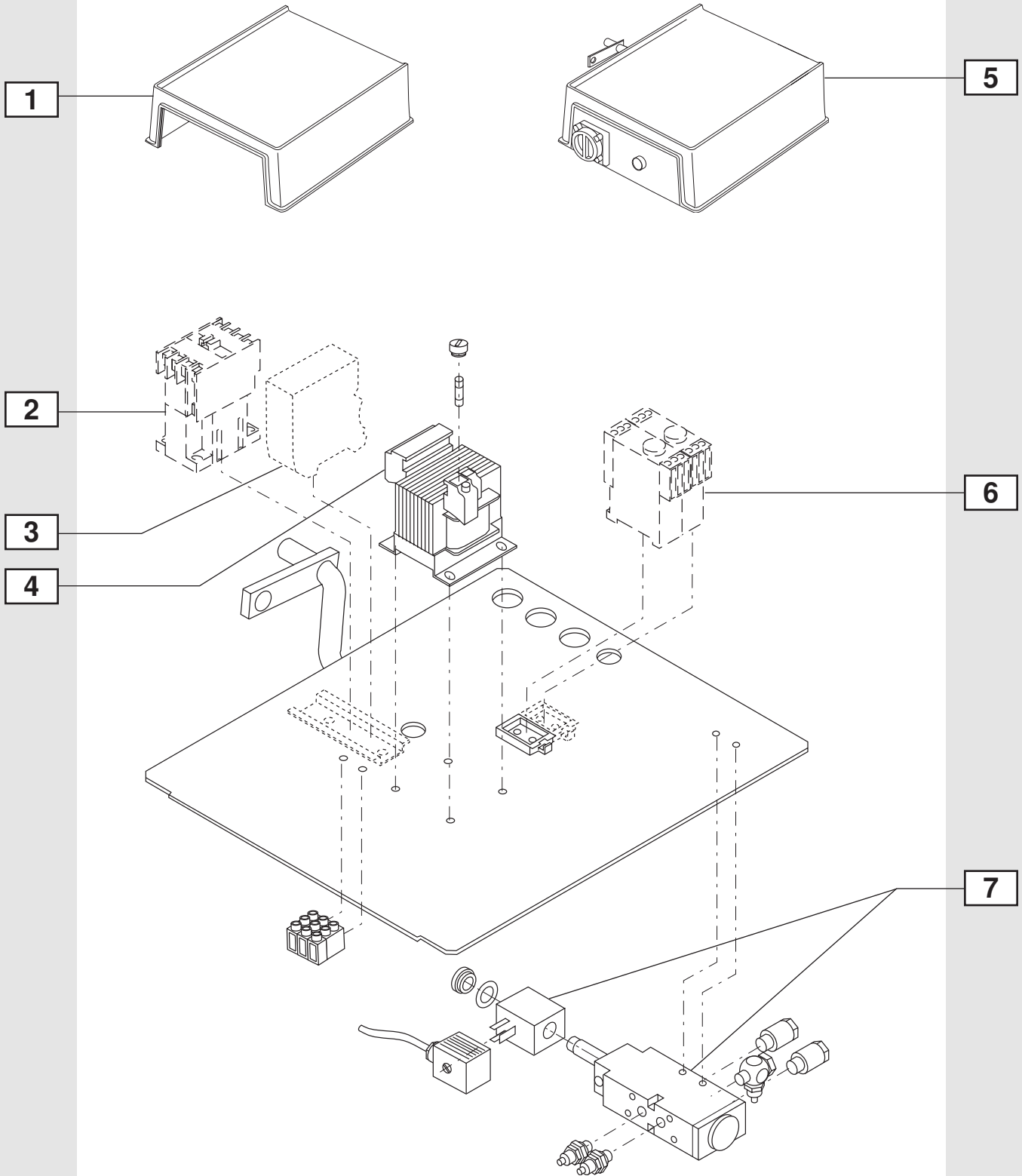
1

Denotes part number in drawing

A1.2

Denotes part number in drawing and links to auxiliary drawing

← Home



Parts list

Part #	ID number	Item description
1	07982239	Control box cover
2	03990950	SCHEUTZ 12A 24VAC Motor contactor
3	04824480	SICH-MLEMME Fuse holder
4	01924400	TRAFO 120-460V/24V
5	04847260	Control box assembly (A4.11+A4.12+cover)
6	03866270	ZEITREL.D6 DQ Time relay
7	03975990	VENTIL 5/2W 24VDC G18 Single solenoid valve

 Back

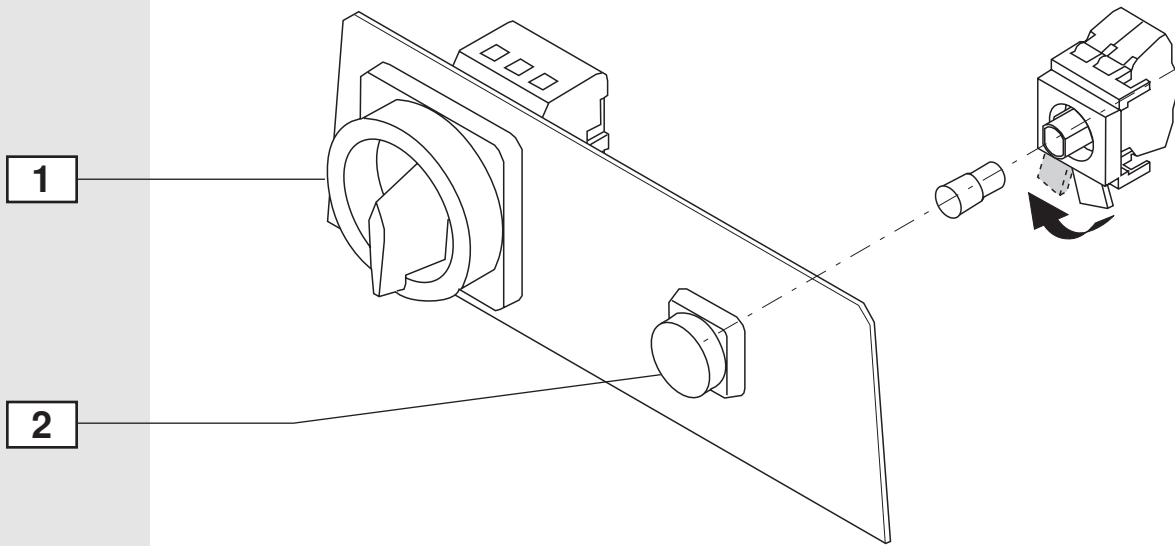
1

Denotes part number in drawing

A1.2

Denotes part number in drawing and links to auxiliary drawing

← Home



Parts list

Part #	ID number	Item description
1	01312970	HAUPTSCHALTER 3-POL 25A Main switch
2	04623070	Stroke switch assembly

 Back

1 Denotes part number in drawing

A1.2 Denotes part number in drawing and links to auxiliary drawing

Blum Canada Ltd.
7135 Pacific Circle
Mississauga ON L5T 2A8
toll free 800-670-9254
local 905-670-7920
fax 905-670-7929
internet www.blum.com
www.dynamicspace.com